

Sl. No. : TTTT

ಒಟ್ಟು ಪ್ರಶ್ನೆಗಳ ಸಂಖ್ಯೆ : 5]

CCE RR

[ಒಟ್ಟು ಮುದ್ರಿತ ಪುಟಗಳ ಸಂಖ್ಯೆ : 8

Total No. of Questions : 5]

[Total No. of Printed Pages : 8

ಸಂಕೇತ ಸಂಖ್ಯೆ : **72**

Code No. : 72

ಇಲ್ಲಿಂದ ಕತ್ತರಿಸಿ

ವಿಷಯ : ಇಂಜಿನಿಯರಿಂಗ್ ಡ್ರಾಯಿಂಗ್

Subject : ENGINEERING DRAWING

(ಹಳೆಯ ಪಠ್ಯಕ್ರಮ / Old Syllabus)

(ಪುನರಾವರ್ತಿತ ಶಾಲಾ ಅಭ್ಯರ್ಥಿ / Regular Repeater)

ದಿನಾಂಕ : 24. 03. 2018]

[Date : 24. 03. 2018

ಸಮಯ : ಮಧ್ಯಾಹ್ನ-2-00 ರಿಂದ 5-15 ರವರೆಗೆ] [Time : 2-00 P.M. to 5-15 P.M.

ಗರಿಷ್ಠ ಅಂಕಗಳು : 50]

[Max. Marks : 50

General Instructions to the Candidate :

1. This Question Paper consists of 5 objective and subjective types of questions.
2. This question paper has been sealed by reverse jacket. You have to cut on the right side to open the paper at the time of commencement of the examination. Check whether all the pages of the question paper are intact.
3. Follow the instructions given against both the objective and subjective types of questions.
4. Figures in the right hand margin indicate maximum marks.
5. The maximum time to answer the paper is given at the top of the question paper. It includes 15 minutes for reading the question paper.

TEAR HERE TO OPEN THE QUESTION PAPER

ಪ್ರಶ್ನೆ ಪತ್ರಿಕೆಯನ್ನು ತೆರೆದಿರುವುದು ಇಲ್ಲಿ ಕತ್ತರಿಸಿ

Tear here

RR-306

[Turn over

- Instructions :*
- i) Answer *all* the questions.
 - ii) Retain the constructional details.
 - iii) All dimensions are in mm.
 - iv) Use first angle projection only.
 - v) Missing dimensions may be assumed.
 - vi) All drawings should be drawn in drawing sheet only.

1. a) Fill in the blanks with the correct figure/word(s) by selecting from the choices given in the brackets : 5 × 1 = 5

- i) Centre lines are drawn as

(*continuous narrow lines, dashed narrow lines, long-dashed dotted narrow line*)

- ii) The included angle of a hexagon is

(*120°, 60°, 72°*)

- iii) The scale used for measuring in two systems of units is

(*plain scale, diagonal scale, comparative scale*)

iv) Involute curves are used in

(*chains, gears, cams*)

v) In a orthographic projection the elevation is obtained of a plane called

(*vertical plane, profile plane, horizontal plane*)

b) Match the following :

5 × 1 = 5

Group A

Group B

i) Acme thread

a) small instrument screws

ii) Square thread

b) coupler of railway carriages

iii) Buttress thread

c) transmission of power

iv) Knuckle thread

d) screw of a bench vice

v) British association thread

e) lead screw of a lathe

f) automobile and air craft works.

2. a) Print the following in single stroke vertical capital letters of height 18 mm with 6 : 5 ratio. 5

'PULLEYS'

- b) Construct a scale of 1 : 60 to show metres and decimeres and long enough to measure up to 6 metres. 5
3. a) Draw a parabola, given the width and height enclosing rectangle as 105 mm and 75 mm respectively. 5
- b) The sides of a parallelogram are 120 mm and 80 mm. The included angle between them is 75°. Inscribe an ellipse in the given parallelogram. 5
4. a) Draw the symbol for first angle projection. 3
- b) The pictorial view of an object is shown in Figure No. 1. Draw the following orthographic views and mark the dimensions : 7
- (i) Front view — Looking in the direction of arrow 'X'

- (ii) Top view — Looking in the direction of arrow 'Y'

- (iii) Side view — Looking in the direction of arrow 'Z'.

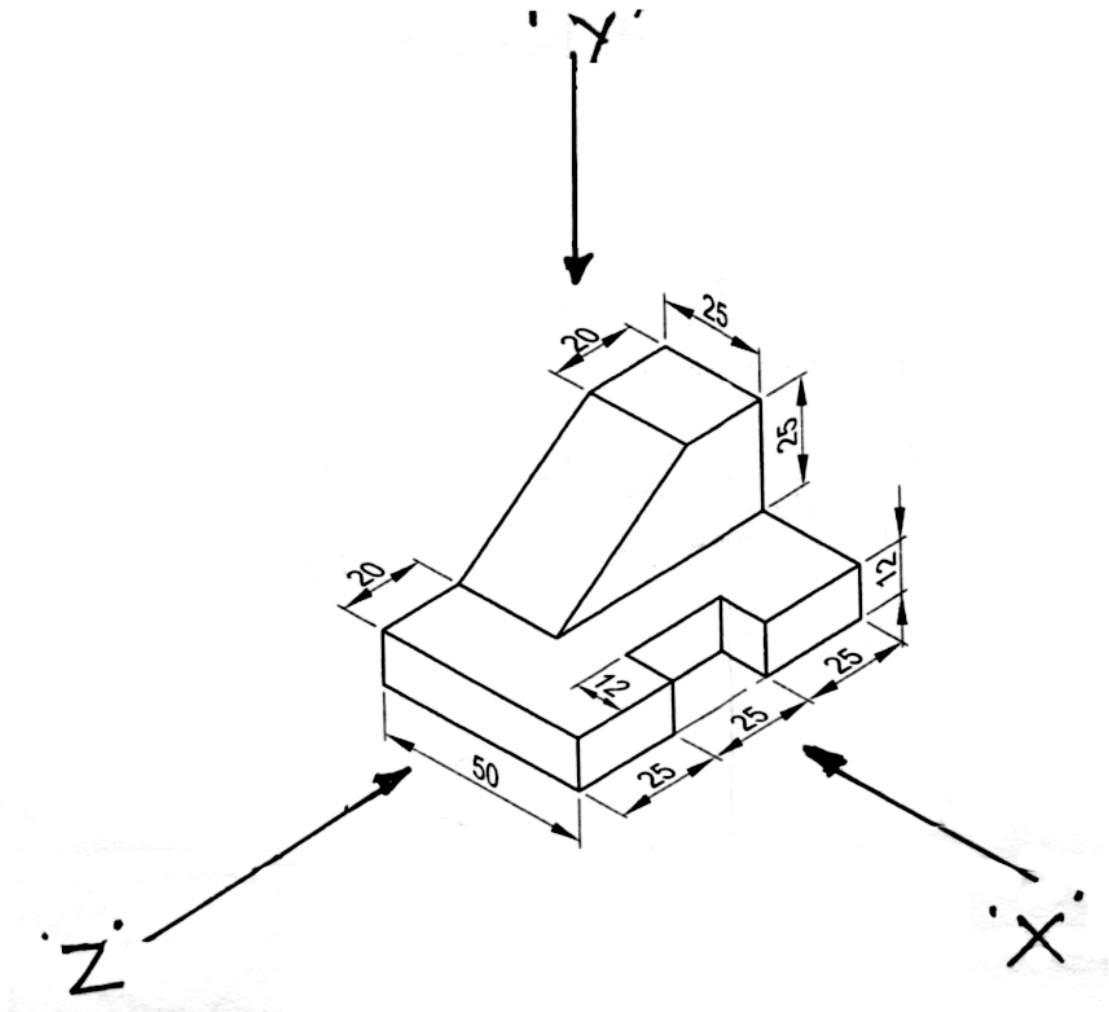


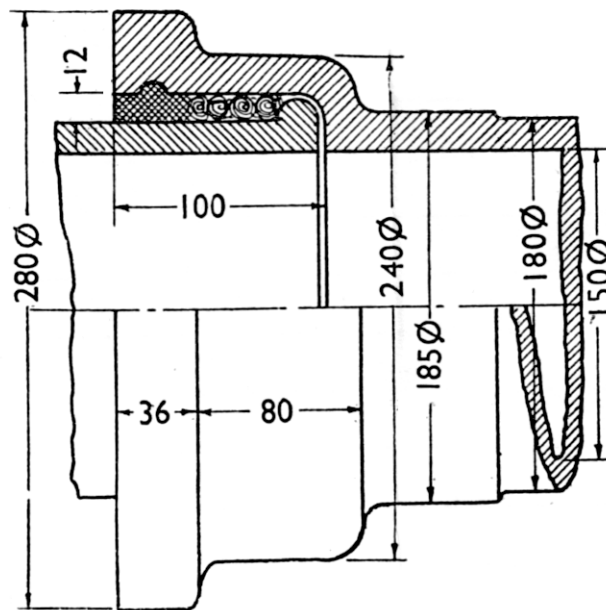
Figure No. 1

5. Figure No. 2 shows the sectional elevation of a socket and spigot pipe joint.

Draw the sectional elevation of a socket and spigot pipe joint to half full

size (1 : 2 size).

10



SOCKET AND SPIGOT PIPE JOINT

Figure No. 2

