

CCE RF
CCE RR
REVISED

A

ಕರ್ನಾಟಕ ಪ್ರೌಢ ಶಿಕ್ಷಣ ಪರೀಕ್ಷಾ ಮಂಡಳಿ, ಮಲ್ಲೇಶ್ವರಂ, ಬೆಂಗಳೂರು – 560 003
KARNATAKA SECONDARY EDUCATION EXAMINATION BOARD, MALLESWARAM,
BANGALORE – 560 003

ಎಸ್.ಎಸ್.ಎಲ್.ಸಿ. ಪರೀಕ್ಷೆ, ಮಾರ್ಚ್/ಏಪ್ರಿಲ್ – 2020
S. S. L. C. EXAMINATION, MARCH/APRIL, 2020

ಮಾದರಿ ಉತ್ತರಗಳು
MODEL ANSWERS

ದಿನಾಂಕ : 04. 04. 2020]

ಸಂಕೇತ ಸಂಖ್ಯೆ : **72**

Date : 04. 04. 2020]

CODE NO. : **72**

ವಿಷಯ : ಇಂಜಿನಿಯರಿಂಗ್ ಗ್ರಾಫಿಕ್ಸ್ - 2

Subject : ENGINEERING GRAPHICS - 2

(ಹೊಸ ಪಠ್ಯಕ್ರಮ / New Syllabus)

(ಶಾಲಾ ಅಭ್ಯರ್ಥಿ & ಪುನರಾವರ್ತಿತ ಶಾಲಾ ಅಭ್ಯರ್ಥಿ / Regular Fresh & Regular Repeater)

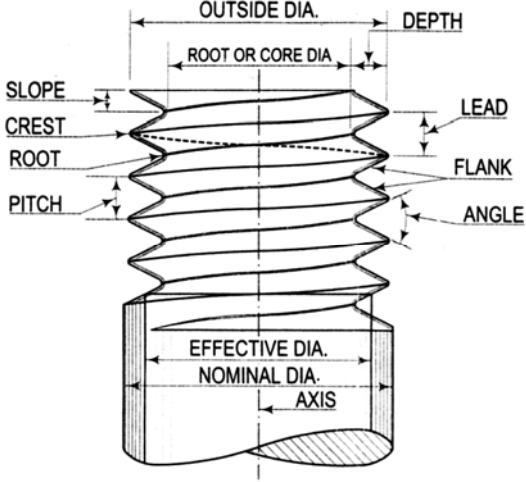
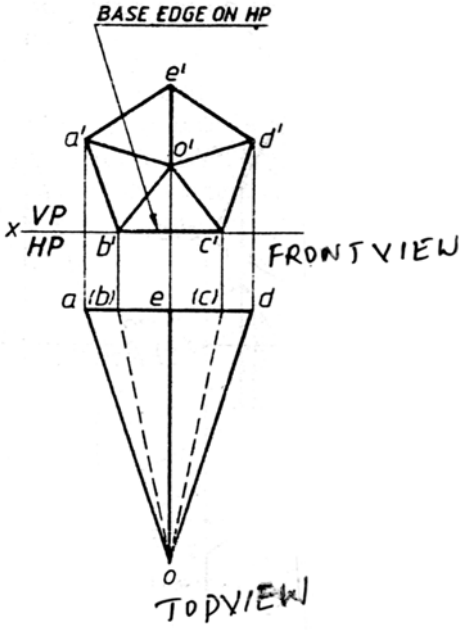
[ಗರಿಷ್ಠ ಅಂಕಗಳು : 50

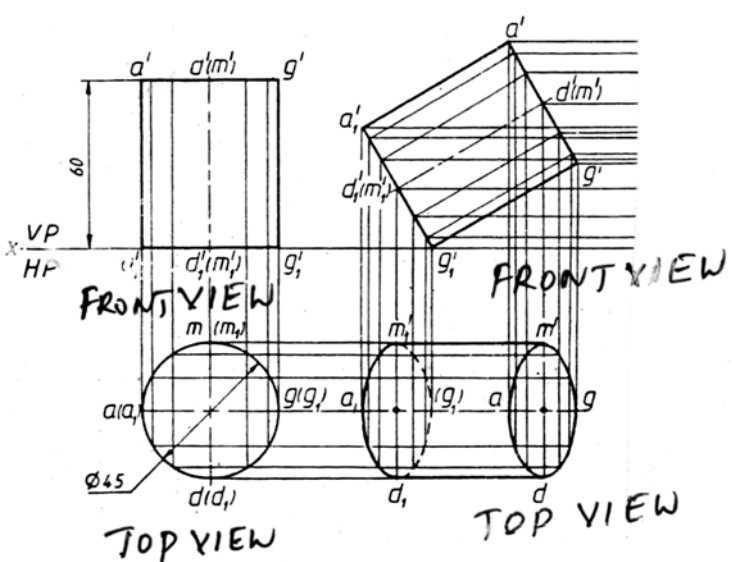
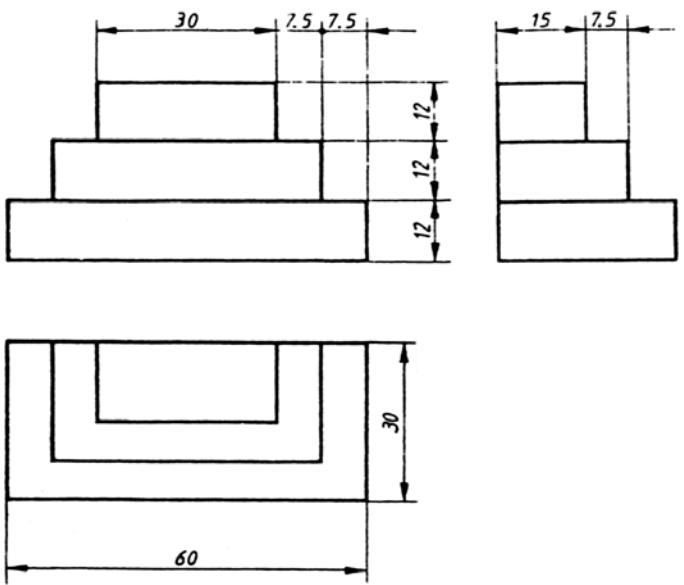
[Max. Marks : 50

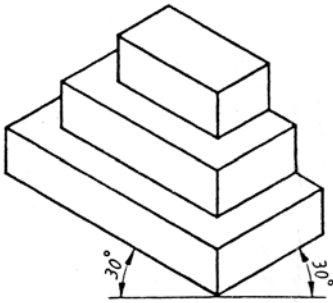
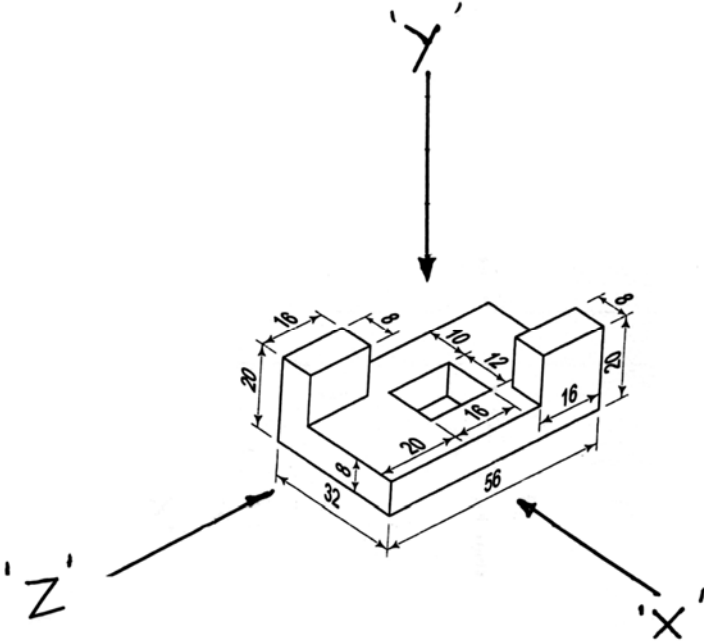
Qn. Nos.	Sub. Qn.No.	Value Points	Total
1.		With a sketch show the following parts of a screw thread : 5 i) Root ii) Crest iii) Flank iv) Depth v) Pitch.	

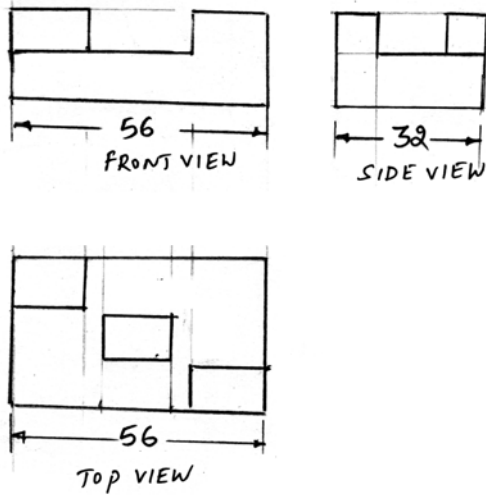
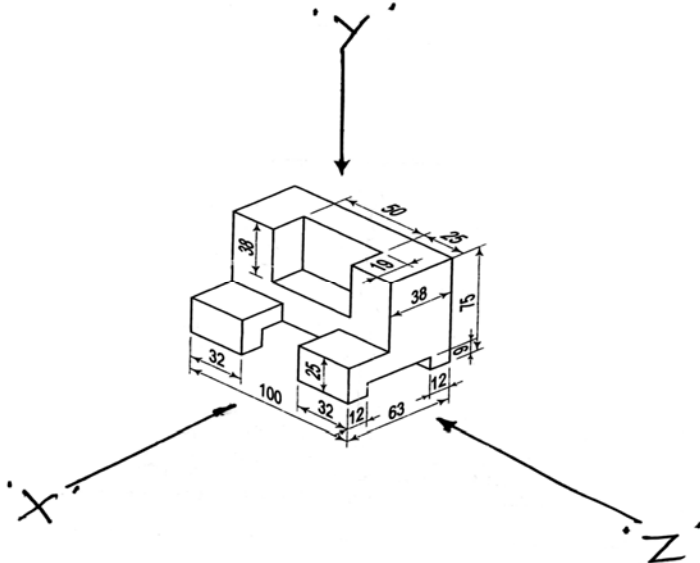
RF & RR (A)-320

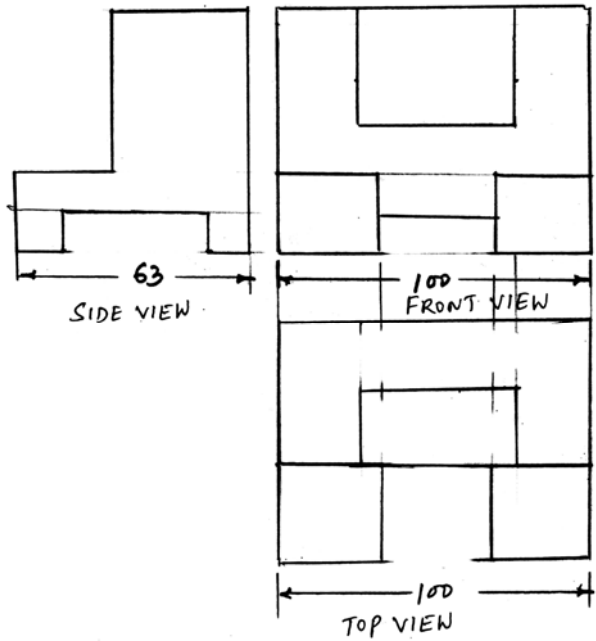
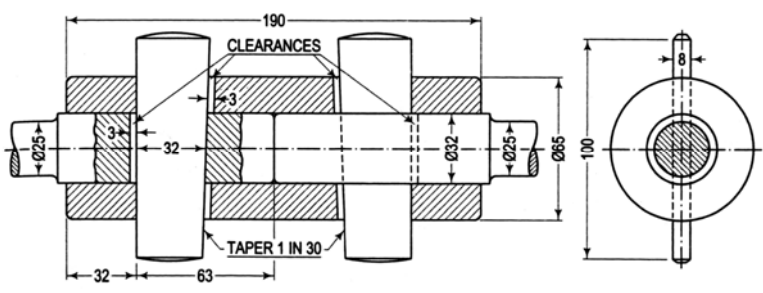
[Turn over

Qn. Nos.	Sub. Qn.No.	Value Points	Total
		<p>Ans.</p>  <p>i) Sketch = $2\frac{1}{2}$ ii) Parts = $5 \times \frac{1}{2} = 2\frac{1}{2}$</p>	5
2.		<p>A pentagonal pyramid is of 30 mm side of base and axis 60 mm long. Draw the projection of pyramid when the axis of the pyramid is perpendicular to V.P. and the base edge is on H.P.</p> <p>Ans.</p>  <p>i) Front view = $2\frac{1}{2}$ ii) Top view = $2\frac{1}{2}$</p>	2

Qn. Nos.	Sub. Qn.No.	Value Points	Total
3.		<p>Draw the top and front views of a right circular cylinder of base 45 mm diameter and 60 mm long when it lies on H.P. such that its axis is inclined at 30° to H.P. 10</p>  <p>i) First stage front view and top view 2 + 2 = 4 ii) Second stage front view and top view 2 + 3 = 5 iii) Dimensioning = 1</p>	10
4.		<p>The front, top and left views of a model of steps are shown in figure No. 1. Draw its isometric view. 10</p>  <p>Figure No. 1</p>	

Qn. Nos.	Sub. Qn.No.	Value Points	Total
		<p>Ans.</p>  <p>Isometric view of steps</p> <p>i) Isometric view of steps = 8 ii) Dimensioning = 2</p>	10
5.		<p>The pictorial view of an object is shown in figure No. 2. Draw the following orthographic views and mark the dimensions :</p> <p>i) Front view — looking in the direction of arrow 'X'</p> <p>ii) Top view — looking in the direction of arrow 'Y'</p> <p>iii) Side view — looking in the direction of arrow 'Z'.</p>  <p>Figure No. 2</p>	

Qn. Nos.	Sub. Qn.No.	Value Points	Total
		<p>Ans.</p>  <p style="text-align: right;">i) Front view = 3 ii) Top view = 3 iii) Side view = 3 iv) Dimensioning = 1</p>	10
		OR	
		<p>The pictorial view of an object is shown in figure No. 3. Draw the following orthographic views and mark the dimensions :</p> <ol style="list-style-type: none"> i) Front view — looking in the direction of arrow 'X' ii) Top view — looking in the direction of arrow 'Y' iii) Side view — looking in the direction of arrow 'Z'.  <p style="text-align: center;">Figure No. 3</p>	

Qn. Nos.	Sub. Qn.No.	Value Points	Total
		<p>Ans.</p>  <p>i) Front view = 3 ii) Top view = 3 iii) Side view = 3 iv) Dimensioning = 1</p>	10
5.		<p>Figure No. 4 shows the sectional elevation and left view of cotter joint with sleeve. Draw the sectional elevation of the cotter joint with sleeve to full size (1 : 1 size) and mark dimensions.</p>  <p>COTTER JOINT WITH SLEEVE Figure No. 4</p>	10

Qn. Nos.	Sub. Qn.No.	Value Points	Total
		<i>Ans.</i> i) Copy of sketch cotter joint with sleeve to full size (1 : 1 size) = 8 ii) Dimensioning = 2	10