

ಒಟ್ಟು ಮುದ್ರಿತ ಪುಟಗಳ ಸಂಖ್ಯೆ : 8]
Total No. of Printed Pages : 8]
ಒಟ್ಟು ಪ್ರಶ್ನೆಗಳ ಸಂಖ್ಯೆ : 6]
Total No. of Questions : 6]
ಸಂಕೇತ ಸಂಖ್ಯೆ : **72**
Code No. : 72

A

**CCE RR
REVISED**

Question Paper Serial No. **30**

ಇಲ್ಲಿಂದ ಕತ್ತರಿಸಿ

ವಿಷಯ : ಇಂಜಿನಿಯರಿಂಗ್ ಗ್ರಾಫಿಕ್ಸ್ - 2
Subject : ENGINEERING GRAPHICS - 2
(ಹೊಸ ಪಠ್ಯಕ್ರಮ / New Syllabus)
(ಪುನರಾವರ್ತಿತ ಶಾಲಾ ಅಭ್ಯರ್ಥಿ / Regular Repeater)

ದಿನಾಂಕ : 26. 09. 2020]

[Date : 26. 09. 2020

ಸಮಯ = ಮಧ್ಯಾಹ್ನ-2-30 ರಿಂದ 5-45 ರವರೆಗೆ]

[Time : 2-30 P.M. to 5-45 P.M.

ಪರಮಾವಧಿ ಅಂಕಗಳು : 50]

[Max. Marks : 50

General Instructions to the Candidate :

1. This Question Paper consists of 6 subjective types of questions.
2. This question paper has been sealed by reverse jacket. You have to cut on the right side to open the paper at the time of commencement of the examination. Check whether all the pages of the question paper are intact.
3. Follow the instructions given against both the objective and subjective types of questions.
4. Figures in the right hand margin indicate maximum marks.
5. The maximum time to answer the paper is given at the top of the question paper. It includes 15 minutes for reading the question paper.

TEAR HERE TO OPEN THE QUESTION PAPER
ಪ್ರಶ್ನೆ-ಪತ್ರಿಕೆಯನ್ನು ತೆರೆಯಲು ಇಲ್ಲಿ ಕತ್ತರಿಸಿ

- Instructions :*
- i) Answer *all* the questions.
 - ii) Retain the constructional details.
 - iii) All dimensions are in mm.
 - iv) Use first angle projection only.
 - v) Missing dimensions may be assumed.
 - vi) All drawings should be drawn in drawing sheet only.

1. With a neat sketch show the profiles of the following forms of screw threads : 5

- i) British standard Whitworth thread
- ii) Acme thread.

2. Write the symbols of the following : 5

- i) First angle projection system
- ii) Third angle projection system.

3. A hexagonal prism of base 30 mm side and axis 50 mm long is placed with one of its base edges on H.P. such that the axis is inclined 30° to H.P. Draw its projections. 10

4. The front, top and right views of an object are shown in figure No.1. Draw the isometric view. 10

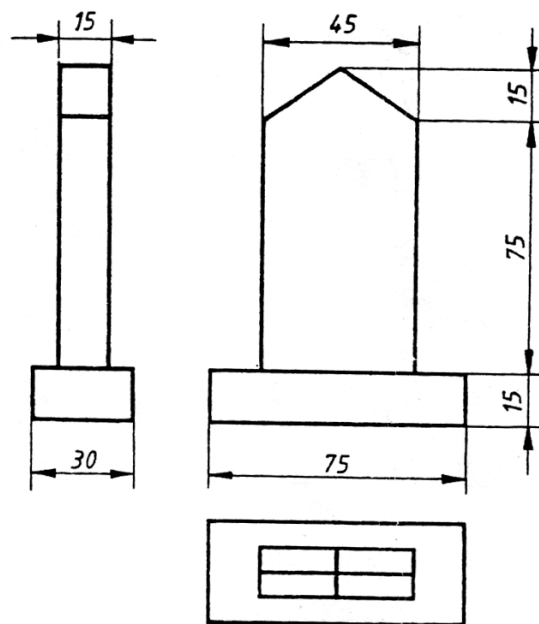


Figure No. 1

5. The pictorial view of an object is shown in figure No. 2. Draw the following orthographic views and mark the dimensions : 10

- i) Front view — looking in the direction of arrow 'X'
- ii) Top view — looking in the direction of arrow 'Y'
- iii) Side view — looking in the direction of arrow 'Z'.

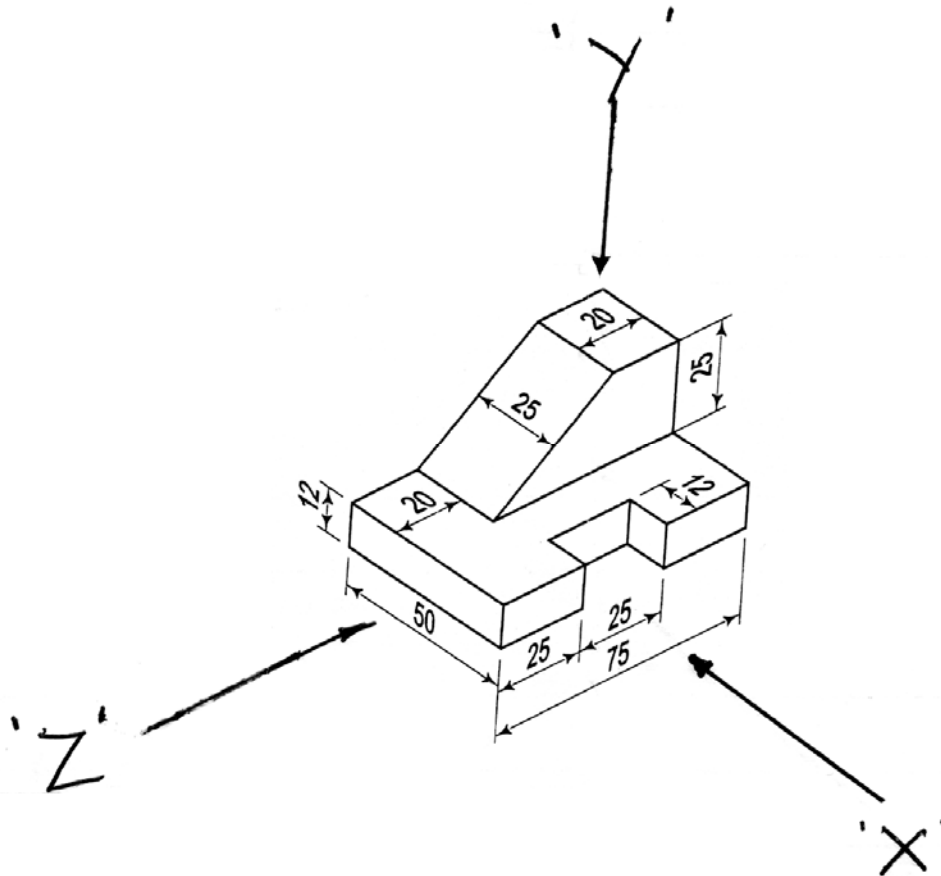


Figure No. 2

OR

The pictorial view of an object is shown in figure No. 3. Draw the following orthographic views and mark the dimensions :

10

- i) Front view — looking in the direction of arrow 'X'
- ii) Top view — looking in the direction of arrow 'Y'
- iii) Side view — looking in the direction of arrow 'Z'.

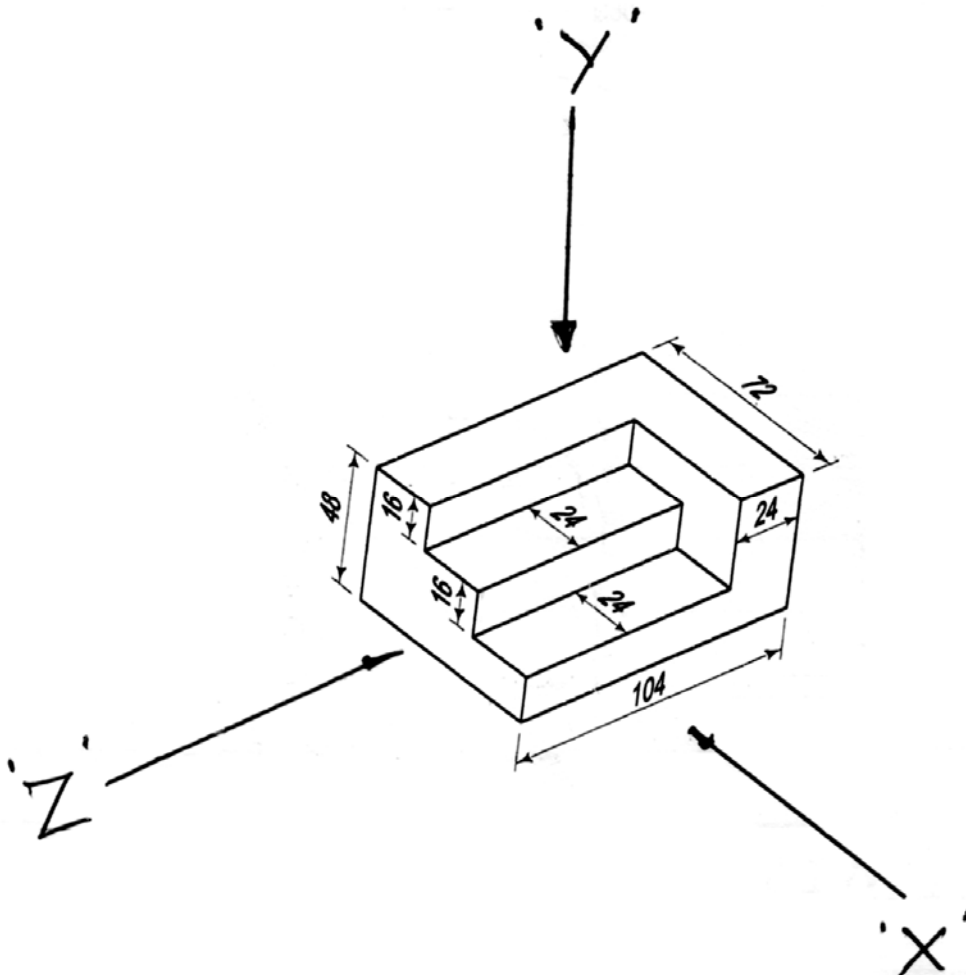
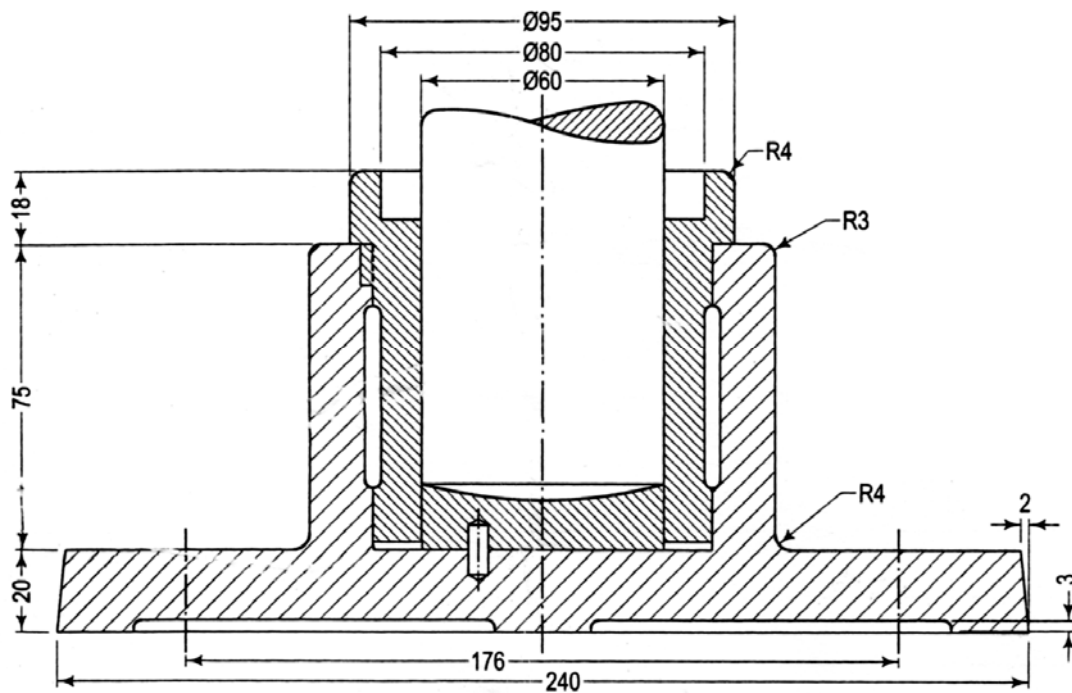


Figure No. 3

6. Figure No. 4 shows the sectional elevation of a foot step bearing. Draw the sectional elevation of a foot step bearing to half full size (1 : 2 size) and mark dimensions.

10

**FOOT STEP BEARING****Figure No. 4**

