

CCE RR

A

ಕರ್ನಾಟಕ ಪ್ರೌಢ ಶಿಕ್ಷಣ ಪರೀಕ್ಷಾ ಮಂಡಳಿ, ಮಲ್ಲೇಶ್ವರಂ, ಬೆಂಗಳೂರು – 560 003
KARNATAKA SECONDARY EDUCATION EXAMINATION BOARD, MALLESHWARAM,
BANGALORE – 560 003
ಎಸ್.ಎಸ್.ಎಲ್.ಸಿ. ಪರೀಕ್ಷೆ, ಜೂನ್ / ಜುಲೈ, 2022
S.S.L.C. EXAMINATION, JUNE / JULY, 2022

ಮಾದರಿ ಉತ್ತರಗಳು
MODEL ANSWERS

ದಿನಾಂಕ : 02. 07. 2022]

ಸಂಕೇತ ಸಂಖ್ಯೆ : 72

Date : 02. 07. 2022]

CODE NO. : 72

ವಿಷಯ : ಇಂಜಿನಿಯರಿಂಗ್ ಗ್ರಾಫಿಕ್ಸ್ - 2

Subject : ENGINEERING GRAPHICS - 2

(ಪುನರಾವರ್ತಿತ ಶಾಲಾ ಅಭ್ಯರ್ಥಿ / Regular Repeater)

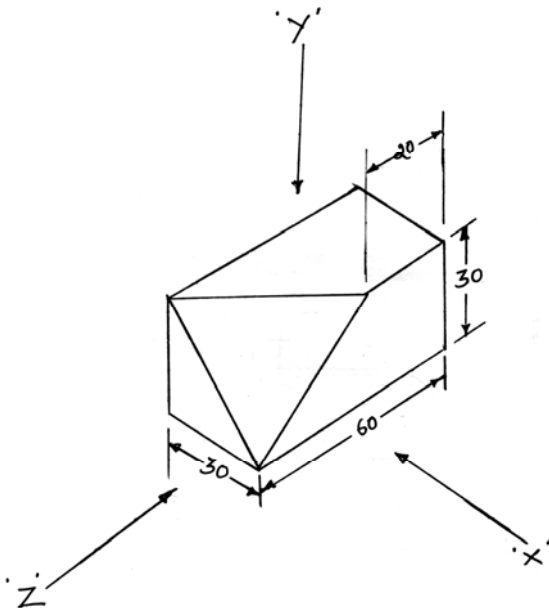
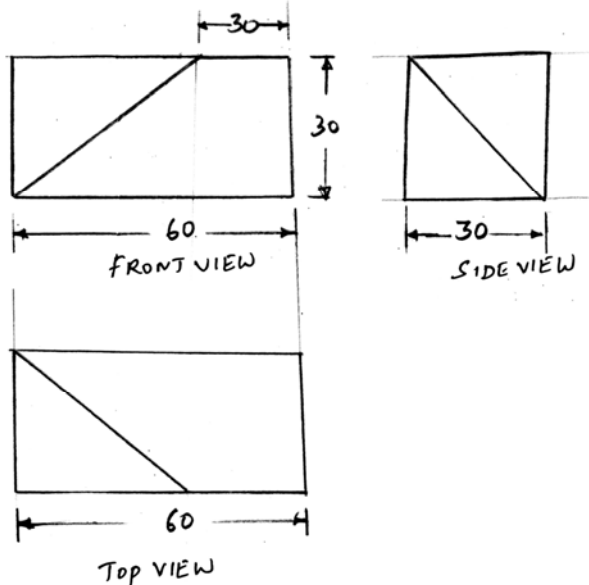
[ಗರಿಷ್ಠ ಅಂಕಗಳು : 50

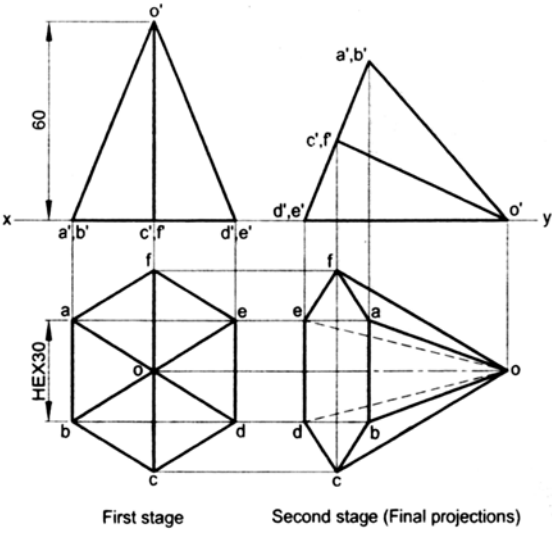
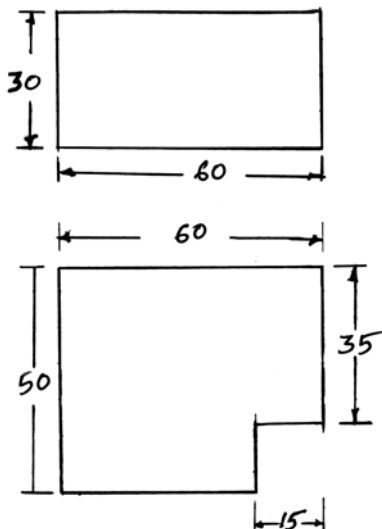
[Max. Marks : 50

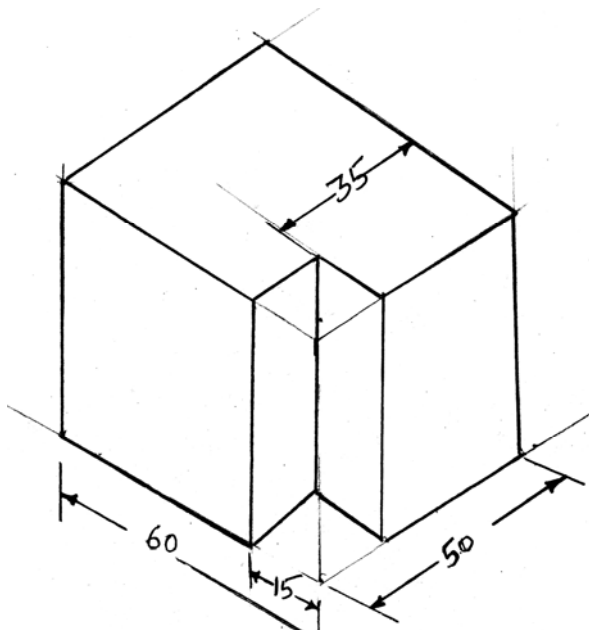
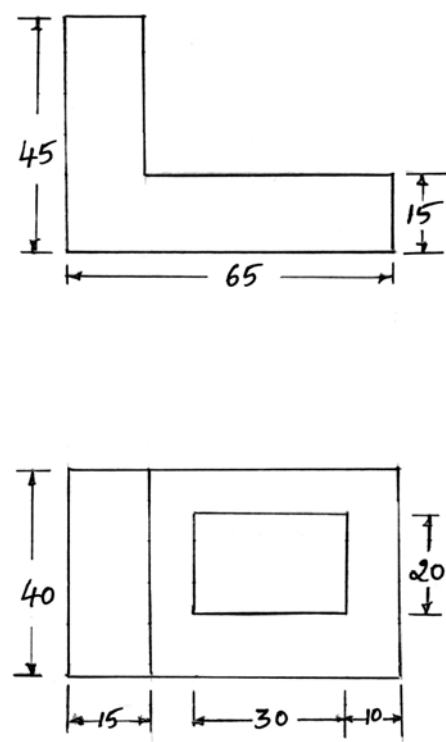
Qn. Nos.	Sub. Qn.No.	Value Points	Total
1.		<p>A pentagonal prism of base side 30 mm and axis 60 mm has one of its bases in the V.P. Draw its projections when a face is perpendicular to the H.P.</p> <p>5</p> <p>Ans.</p> <p>i) Front view - 2 ii) Top view - 2 iii) Marking of edges - 1</p>	5

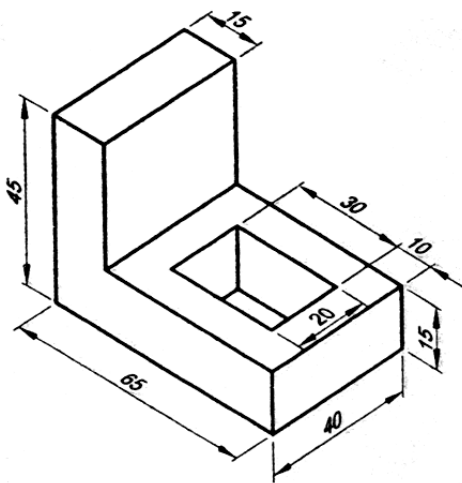
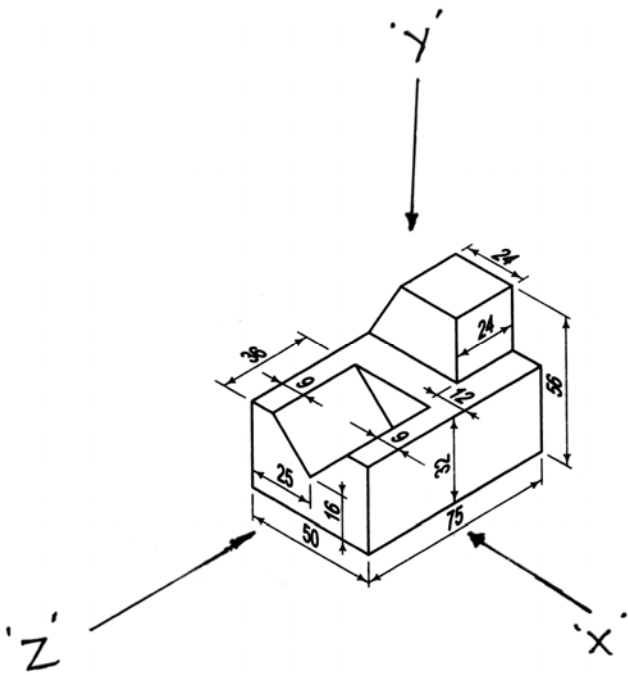
RR (A)-(600)-13040 (MA)

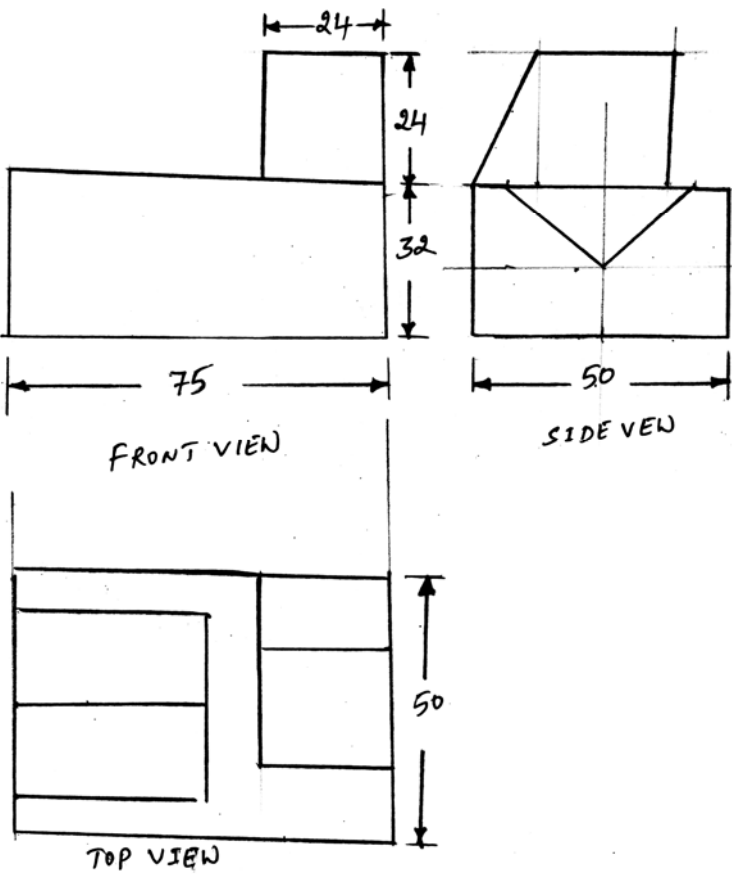
[Turn over

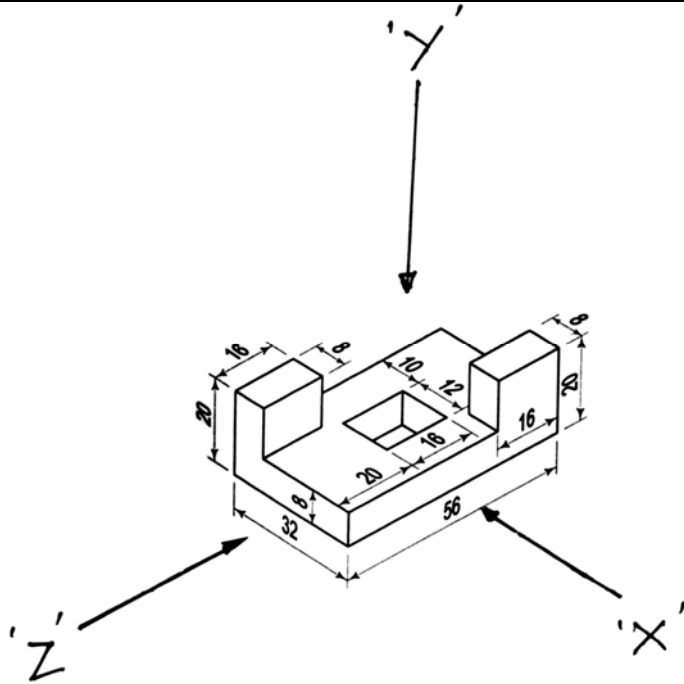
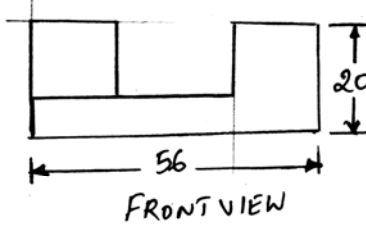
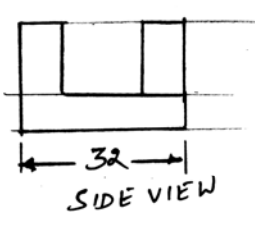
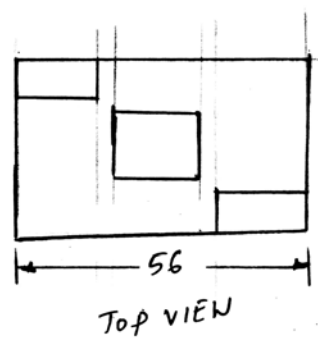
Qn. Nos.	Sub. Qn.No.	Value Points	Total
2.		<p>The pictorial view of an object is shown in Figure No. 1. Draw the following orthographic views and mark the dimensions.</p> <p>i) Front view — looking in the direction of arrow 'X'</p> <p>ii) Top view — looking in the direction of arrow 'Y'</p> <p>iii) Side view — looking in the direction of arrow 'Z'. 5</p> <div style="text-align: center;">  <p>Figure No. 1</p> </div> <p>Ans.</p> <div style="text-align: center;">  </div> <p style="text-align: right;">i) Front view - 2 ii) Top view - 2 iii) Side view - 1</p>	5

Qn. Nos.	Sub. Qn.No.	Value Points	Total
3.		<p>A hexagonal pyramid of base edge 30 mm and axis 60 mm has a triangular face on the ground and the axis parallel to the V.P. Draw its projections. 10</p> <p><i>Ans.</i></p>  <p style="text-align: center;">First stage Second stage (Final projections)</p> <p style="text-align: right;">i) First stage Front view - 2 Top view - 2 ii) Second stage Front view - 2 Top view - 3 iii) Dimensioning - 1</p>	10
4.		<p>The front and top views of a casting are shown in Figure No. 2. Draw its isometric view. 10</p>  <p style="text-align: center;">Figure No. 2</p>	10

Qn. Nos.	Sub. Qn.No.	Value Points	Total
		<p>Ans.</p>  <p>i) Isometric view - 8 ii) Dimensioning - 2</p>	
5.		<p>The front and top views of an angle plate are shown in Figure No. 3. Draw its isometric view.</p>  <p style="text-align: center;">Figure No. 3</p>	10

Qn. Nos.	Sub. Qn.No.	Value Points	Total
		<p>Ans.</p>  <p>i) Isometric view - 8 ii) Dimensioning - 2</p>	
6.		<p>The pictorial view of an object is shown in Figure No. 4. Draw the following orthographic views and mark the dimensions.</p> <p>i) Front view — looking in the direction of arrow 'X'</p> <p>ii) Top view — looking in the direction of arrow 'Y'</p> <p>iii) Side view — looking in the direction of arrow 'Z'.</p>  <p style="text-align: center;">Figure No. 4</p>	10

Qn. Nos.	Sub. Qn.No.	Value Points	Total
		<p>Ans.</p>  <p style="text-align: center;">FRONT VIEW SIDE VIEW</p> <p style="text-align: center;">TOP VIEW</p> <p style="text-align: right;">i) Front view - 3 ii) Top view - 3 iii) Side view - 3 iv) Dimensioning - 1</p>	
		OR	
		<p>The pictorial view of an object is shown in Figure No. 5. Draw the following orthographic views and mark the dimensions.</p> <p>i) Front view — looking in the direction of arrow 'X'</p> <p>ii) Top view — looking in the direction of arrow 'Y'</p> <p>iii) Side view — looking in the direction of arrow 'Z'. 10</p>	10

Qn. Nos.	Sub. Qn.No.	Value Points	Total
		<div style="text-align: center;">  <p>Figure No. 5</p> <p>Ans.</p> <div style="display: flex; justify-content: space-around;"> <div style="text-align: center;">  <p>FRONT VIEW</p> </div> <div style="text-align: center;">  <p>SIDE VIEW</p> </div> </div> <div style="text-align: center; margin-top: 20px;">  <p>TOP VIEW</p> </div> <div style="margin-top: 20px;"> <ul style="list-style-type: none"> i) Front view - 3 ii) Top view - 3 iii) Side view - 3 iv) Dimensioning - 1 </div> </div>	